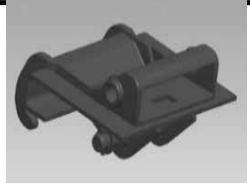


November 1, 2021
 BOBCAT Retail Price Pages



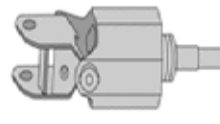
Auger
Bobcat Excavator Attachment



Auger Interface



CIMC "TAG" style Interface



Auger Drive Unit

Quick Specs	Labor
-------------	-------

	<u>Model 10</u>	<u>Model 15C</u>	<u>Model 15H</u>	<u>Model 30C</u>	<u>Model 30H</u>	<u>Model 35PH</u>	<u>Model 50PH</u>
Ship Wgt (Auger Drive).....	191 lbs.	245 lbs.	241 lbs.	263 lbs.	257 lbs.	325 lbs.	325 lbs.
Ship Weight							
(Coupler & Interface).....	111 lbs.	111 lbs.	111 lbs.	111 lbs.	111 lbs.	111 lbs.	111 lbs.
Operating Wgt (less bit).....	242 lbs.	296 lbs.	292 lbs.	314 lbs.	308 lbs.	376 lbs.	376 lbs.
Digging Depth							
(without extensions).....	58"	62"	62"	62"	62"	72"	72"
Shaft Diameter - Round.....	2.5"	2.5"	-	2.5"	-	-	-
Shaft Diameter - Hex.....	-	2.0"	2.0"	2.0"	2.0"	2.5"	2.5"
RPM							
@ 8 gpm (30 L/min.).....	48 rpm	-	-	-	-	-	-
@ 12 gpm (45 L/min.).....	72 rpm	57 rpm	57 rpm	-	-	-	-
@ 17 gpm (64 L/min.).....	102 rpm	80 rpm	80 rpm	41 rpm	41 rpm	-	-
@ 18 gpm (68 L/min.).....	-	-	-	-	-	46 rpm	36 rpm
@ 21 gpm (70 L/min.).....	-	99 rpm	99 rpm	51 rpm	51 rpm	-	-
@ 22 gpm (83 L/min.).....	-	-	-	-	-	56 rpm	45 rpm
@ 23 gpm (87 L/min.).....	-	109 rpm	109 rpm	56 rpm	56 rpm	-	-
@ 26 gpm (98 L/min.).....	-	-	-	-	-	67 rpm	53 rpm
@ 30 gpm (114 L/min.).....	-	-	-	70 rpm	70 rpm	77 rpm	61 rpm
@ 32 gpm (121 L/min.).....	-	-	-	-	-	82 rpm	65 rpm
@ 34 gpm (129 L/min.).....	-	-	-	-	-	87 rpm	69 rpm
@ 36 gpm (136 L/min.).....	-	-	-	-	-	92 rpm	73 rpm
@ 37 gpm (140 L/min.).....	-	-	-	90 rpm	90 rpm	-	-
@ 38 gpm (144 L/min.).....	-	-	-	-	-	98 rpm	77 rpm
Torque							
@ 2000 psi (19,788 kPa).....	1,021 ft.lb. (1,523 Nm)	1,300 ft.lb. (1,763 Nm)	1,300 ft.lb. (1,763 Nm)	2,520 ft.lb. (3,417 Nm)	2,520 ft.lb. (3,417 Nm)	2,387 ft.lb. (3,237 Nm)	3,023 ft.lb. (4,100 Nm)
@ 2400 psi (16,547 kPa).....	1,225 ft.lb. (1,661 Nm)	1,560 ft.lb. (2,115 Nm)	1,560 ft.lb. (2,115 Nm)	3,024 ft.lb. (4,100 Nm)	3,024 ft.lb. (4,100 Nm)	2,864 ft.lb. (3,884 Nm)	3,628 ft.lb. (4,920 Nm)
@ 2600 psi (17,926 kPa).....	-	-	-	-	-	3,103 ft.lb. (4,208 Nm)	3,931 ft.lb. (5,330 Nm)
@ 2800 psi (18,616 kPa).....	1,378 ft.lb. (1,868 Nm)	1,775 ft.lb. (2,379 Nm)	1,775 ft.lb. (2,379 Nm)	3,402 ft.lb. (4,213 Nm)	3,402 ft.lb. (4,213 Nm)	3,342 ft. lb. (4,531 Nm)	4,233 ft. lb. (5,740 Nm)
@ 3000 psi (20,684 kPa).....	1,532 ft.lb. (2,077 Nm)	1,950 ft.lb. (2,644 Nm)	1,950 ft.lb. (2,644 Nm)	3,780 ft.lb. (5,125 Nm)	3,780 ft.lb. (5,125 Nm)	3,580 ft. lb. (4,855 Nm)	4,535 ft. lb. (6,150 Nm)
@ 3200 psi (22,753 kPa).....	-	-	-	-	-	3,819 ft.lb. (5,179 Nm)	4,838 ft.lb. (6,560 Nm)
@ 3300 psi (22,753 kPa).....	-	2,415 ft.lb. (2,908 Nm)	2,415 ft.lb. (2,908 Nm)	4,158 ft.lb. (5,638 Nm)	4,158 ft.lb. (5,638 Nm)	-	-
@ 3500 psi (24,132 kPa).....	-	2,275 ft.lb. (3,084 Nm)	2,275 ft.lb. (3,084 Nm)	4,410 ft.lb. (5,979 Nm)	4,410 ft.lb. (5,979 Nm)	4,177 ft.lb. (5,664 Nm)	5,291 ft.lb. (7,175 Nm)

Part Number	Attachment Description	Retail Price in US \$	Labor
(322, 323, 324, 325, 328, 425) (E20, E26)			
6808799	Model 10 Auger Drive Unit (If installing on a 322-324 or E20 must order all three of the following: bit, Bolt-On X-Change and X-Change Auger Interface listed below.) (If installing on a 325, 328 or E26 equipped with X-Change, must order bit and X-Change Auger Interface listed below.)	\$1,857.97	\$0.00
(325, 328, 329, 331, 331E, 334, 335, 337, 341, 425, 430, 435) (E26, E32, E35, E42, E45, E50, E55, E63) (E80, E85) (E42R2, E50R2, E60R2, E88R2)			
6809442	Model 15C Auger Drive Unit (Must order Bit and interface from accessories listed below) (Auger drive unit is shipped with a 7/8" round bit retention pin, if used in conjunction with a hex bit a 5/8" Pin Kit P/N 6809733 is required.)	\$2,276.52	\$0.00
7145345	Model 15H Hex Shaft Auger Drive Unit (Must order Bit and interface from accessories listed below)	\$2,276.52	\$0.00
6809445	Model 30C Auger Drive Unit (Must order Bit and interface from accessories listed below) (Auger drive unit is shipped with a 7/8" round bit retention pin, if used in conjunction with a hex bit a 5/8" Pin Kit P/N 6809733 is required.)	\$2,975.57	\$0.00
7138264	Model 30H Hex Shaft Auger Drive Unit	\$2,975.57	\$0.00

Bobcat Company Price Pages
Excavator Attachments

(Must order Bit and interface from accessories listed below)

NOTES:

- 1) Extendable Arm must be pinned in the retracted position to use hydraulic attachments.
- 2) Must order Hose Kit P/N 7214499 (Qty. 2) for E42 Long Arm, E45 long Arm, E50 Long Arm, E55 and E55 Extendable Arm

(E42, E45, E50, E55, E63, E80, E85)(E42R2, E50R2, E60R2, E88R2)

7220280 Model 35PH Auger Drive Unit..... \$4,590.02 \$0.00

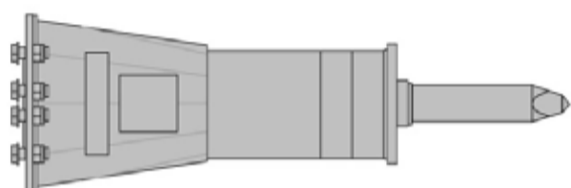
(Must order Bit and interface from accessories listed below) (Auger Drive units is shipped with bit retention pin)

7227984 Model 50PH Auger Drive Unit..... \$5,252.19 \$0.00

(Must order Bit and interface from accessories listed below) (Auger Drive units is shipped with bit retention pin)

Part Number	Description	Retail Price in US \$	Labor
6727180	Bolt-On X-Change, 322 - 324, E20 (Must also order Bit and PN 6817100)	\$358.41	\$0.00
6817100	X-Change Auger Interface, 322 - 435, E26 - E63	\$460.65	\$0.00
7169329	Mounting Frame, E80, E85	\$1,170.62	\$0.00
7307176	Pin-On Mounting Cap, E85 R-Series/E88R2 Series (Mounting cap uses 55mm pins)	\$1,151.49	\$0.00
7387139	CAP AUGER 1/8YD CIMC (Common Industry Mechanical Coupler) CIMC "TAG" style 1/8 yd coupler for use on Model 10, 15C/H, 20C/H, & 35/50PH Augers	\$538.45	\$0.00
7387140	CAP AUGER 1/4YD CIMC (Common Industry Mechanical Coupler) CIMC "TAG" style 1/4 yd coupler for use on Model 35/50PH Augers	\$948.28	\$0.00

**Breaker, Hydraulic
Bobcat Excavator Attachment**



Quick Specs

	<u>HB280</u>	<u>HB680</u>	<u>HB880</u>	<u>HB980</u>
Operating Weight (nail point & cap).....	147 lbs.	392 lbs.	542 lbs.	617 lbs.
Impact Energy Class.....	60 ft. lb.	150 ft. lb.	300 ft. lb.	500 ft. lb.
CIMA Tool Energy Rating.....	59 ft. lb.	143 ft. lb.	207 ft. lb.	282 ft. lb.
Blows per Minute.....	1,290 @ 6 gpm	1,340 @ 13 gpm	1,310 @ 17 gpm	1,450 @ 21 gpm
Flow Requirements.....	3 - 6 gpm	7 - 13 gpm	8 - 17 gpm	12 - 21 gpm
Tool Working Length.....	10.6"	13.0"	13.0"	14.0"
Tool Diameter.....	1.5"	2.2"	2.6"	2.8"

Estimated Breaker Performance with Concrete

Recommended Working Thickness..... 1 - 4" 2 - 4" 4 - 10" 6 - 14"

Demolished Volume per Hour

Non-Reinforced Concrete..... 1 - 2 cu. yds. 1 - 4 cu. yds. 4 - 12 cu. yds. 5 - 15 cu. yds.
Reinforced Concrete..... 1 - 2 cu. yds. 1 - 3 cu. yds. 1 - 4 cu. yds. 2 - 6 cu. yds.

	<u>HB1180</u>	<u>HB1380</u>	<u>HB2380</u>
Operating Weight (nail point & cap).....	774 lbs.	1,000 lbs.	1,039 lbs.
Impact Energy Class.....	750 ft. lb.	850 ft. lb.	1,000 ft. lb.
CIMA Tool Energy Rating.....	384 ft. lb.	515 ft. lb.	700 ft. lb.
Blows per Minute.....	1,280 @ 26 gpm	1,230 @ 32 gpm	910 @ 33 gpm
Flow Requirements.....	15 - 26 gpm	17 - 32 gpm	20 - 33 gpm
Tool Working Length.....	16.0"	17.0"	18.0"
Tool Diameter.....	3.0"	3.4"	3.8"

Estimated Breaker Performance with Concrete

Recommended Working Thickness..... 8 - 16" 10 - 18" 12 - 20"

Demolished Volume per Hour

Non-Reinforced Concrete..... 6 - 15 cu. yds. 8 - 18 cu. yds. 10 - 20 cu. yds.
Reinforced Concrete..... 2 - 7 cu. yds. 3 - 8 cu. yds. 4 - 9 cu. yds.

Part Number	Description	Attachment	Retail Price in US \$	Labor
-------------	-------------	------------	-----------------------	-------

(E10, 418)

7133202	HB280 Breaker	\$5,883.79	\$0.00
	(Includes Nail Point, gauge tool, retainer clip and hose protector) (Must also order hose kit and mounting cap)		
	(If used on 316 excavator, must also order temperature warning kit p/n 7140103 and coupler kit p/n 7170567)		

Part Number	Description	Retail Price in US \$	Labor
-------------	-------------	-----------------------	-------

Accessories - HB280

7170566	Hose Kit for 316 & 418	\$279.43	\$0.00
7160677	Pin-On Mounting Cap - 418	\$126.54	\$0.00

Part Number	Description	Retail Price in US \$	Labor
-------------	-------------	-----------------------	-------

Attachment

(322, 323, 325, 328, 425) (E20, E26)

7113419	HB680 Breaker	\$5,831.59	\$0.00
	(Includes Nail Point, fixing cap bolts, cradle, isolation mount, gauge tool, retainer clip and hose protector) (Must also order Mounting Cap and Hose Kit)		

Part Number	Description	Retail Price in US \$	Labor
-------------	-------------	-----------------------	-------

Mounting Frames - HB680

7117752	Pin-On Mounting Cap - E20	\$433.67	\$0.00
	(Must also order appropriate hose kit, P/N 7117823 or 7117832)		
7113656	X-Change Mounting Cap - 325, 328, 425, E26	\$713.10	\$0.00
	(Must also order appropriate hose kit, P/N 7117823 or 7117832)		
7387135	CAP BREAKER 1/8YD CIMC (Common Industry Mechanical Coupler)	\$513.14	\$0.00
	(For use with HB680/NB140 Breakers with 1/8YD CIMC "TAG" style couplers) (Must also order hose kit)		

Accessories - HB680

7117832	Hose Kit - E20 Long Arm	\$302.28	\$0.00
	(Includes hoses and quick couplers)		
7117823	Hose Kit - 320, 322, 323, 325, 328, E26	\$302.28	\$0.00
	(Includes hoses and quick couplers)		
7114762	Hose Kit - E26 Long Arm	\$302.28	\$0.00
	(Includes hoses and quick couplers)		

Part Number	Description	Retail Price in US \$	Labor
-------------	-------------	-----------------------	-------

Attachment

(325, 328, 329, 331, 331E, 334, 425, 430) (E26, E32, E35)

7113420	HB880 Breaker	\$8,141.88	\$0.00
	(Includes Nail Point, fixing cap bolts, cradle, isolation mount, gauge tool, retainer clip and hose protector) (Must also order Mounting Cap and Hose Kit)		
	(Must also order Auxiliary Hydraulics p/n 7126596 if using with 329 excavator)		

NOTE: Approved for use with E60 s/n AGSZ11320 & below
 Extendable Arm must be pinned in the retracted position to use hydraulic attachments.

Part Number	Description	Retail Price in US \$	Labor
-------------	-------------	-----------------------	-------

Mounting Frames - HB880

7113657	X-Change Mounting Cap	\$736.95	\$0.00
	(Must also order a hose kit)		
7387136	CAP BREAKER 1/8YD CIMC (Common Industry Mechanical Coupler)	\$510.94	\$0.00
	(For use with HB880/HB980/NB150/NB160 Breakers with 1/8YD CIMC "TAG" style couplers) (Must also order hose kit)		

Accessories - HB880

7117834	Hose Kit - 331, 331E, 425, 430, 430 Extendable Arm	\$302.28	\$0.00
	(Includes hoses and quick couplers)		
6728963	Hose Kit - E32, E35	\$302.28	\$0.00
	(Includes hoses and quick couplers)		
7114762	Hose Kit - E26 Long Arm	\$302.28	\$0.00
	(Includes hoses and quick couplers)		
7180019	Hose Kit - E32 Long Arm, E35 Long Arm	\$364.37	\$0.00
	(Includes hoses and quick couplers)		
7175244	Hose Kit - E32/E35 Ext. Arm, R2-Series	\$389.44	\$0.00
	(Includes hoses and quick couplers)		

Part Number	Description	Retail Price in US \$	Labor
-------------	-------------	-----------------------	-------

Attachment

(329, 331, 331E, 334, 335, 337, 341, 430, 435) (E32, E35, E42, E45, E50, E55) (E42R2, E50R2, E60R2)

7113421	HB980 Breaker	\$10,198.83	\$0.00
	(Includes Nail Point, fixing cap bolts, cradle, isolation mount, gauge tool, retainer clip and hose protector) (Must also order Mounting Cap and Hose Kit)		
	(Must also order Auxiliary Hydraulics p/n 7126596 if using with 329 excavator)		

NOTE: Approved for use with E60 s/n AGSZ11320 & below

Extendable Arm must be pinned in the retracted position to use hydraulic attachments.

Dealer Installed Accessories - Order From Sales			Labor
Part Number	Description	Retail Price in US \$	
<u>Mounting Frames - HB980</u>			
7113657	X-Change Mounting Cap..... (Must also order a hose kit)	\$736.95	\$0.00
7387136	CAP BREAKER 1/8YD CIMC (Common Industry Mechanical Coupler)..... (For use with HB880/HB980/NB150/NB160 Breakers with 1/8YD CIMC "TAG" style couplers) (Must also order hose kit)	\$510.94	\$0.00
<u>Accessories - HB980</u>			
7117834	Hose Kit - 331, 331E, 425, 430, 430 Extendable Arm..... (Includes hoses and quick couplers)	\$302.28	\$0.00
6728967	Hose Kit - E50 WITH LONG ARM; E55; E60 R2 Ext. Arm - All ARMS..... (Includes hoses and quick couplers)	\$302.28	\$0.00
6728963	Hose Kit - E32, E35..... (Includes hoses and quick couplers)	\$302.28	\$0.00
7180019	Hose Kit - E32, E35, E42, E45 - ALL WITH LONG ARM..... (Includes hoses and quick couplers)	\$364.37	\$0.00
7114762	Hose Kit - 337, E42, E45, E50..... (Includes hoses and quick couplers)	\$302.28	\$0.00
7175244	Hose Kit - R2-Series E32/E35/E42/E50/E60 All Arm Configurations..... (Includes hoses and quick couplers)	\$389.44	\$0.00

Attachment			Labor
Part Number	Description	Retail Price in US \$	
(335, 337, 341, 435, 442) (E42, E45, E50, E55, E60*, E63, E80, E85) (E42R2, E50R2, E60R2, E88R2)			
7115923	HB1180 Breaker..... (Includes Nail Point, fixing cap bolts, cradle, isolation mount, gauge tool, retainer clip and hose protector) (Must also order Mounting Cap and Hose Kit)	\$13,409.26	\$0.00
* Approved for use with E60 s/n AGSZ11321 & above			

Dealer Installed Accessories - Order From Sales			Labor
Part Number	Description	Retail Price in US \$	
<u>Mounting Frames - HB1180</u>			
(335, 337, 341, 435) (E42, E45, E50, E55, E60, E63)			
7117325	X-Change Mounting Cap..... (Must also order a hose kit)	\$861.14	\$0.00
(E80, E85)			
7168502	Pin-On Mounting Cap..... (Must also order hose kit, P/N 7176608, Mounting Cap uses 45mm pins)	\$1,117.97	\$0.00
(E85 R-Series, E88R2 Series)			
7307177	Pin-On Mounting Cap..... (Must also order hose kit, P/N 7176608, Mounting Cap uses 55mm pins)	\$1,101.32	\$0.00
7387138	CAP BREAKER 1/8YD CIMC (Common Industry Mechanical Coupler)..... (For use with HB1180/NB170 Breakers with CIMC "TAG" style couplers) (Must also order hose kit)	\$596.88	\$0.00
7387137	CAP BREAKER 1/4YD CIMC (Common Industry Mechanical Coupler)..... (For use with HB1180/HB1380/HB2380/NB170/NB180 Breakers with 1/4YD CIMC "TAG" style couplers) (Must also order hose kit)	\$839.34	\$0.00
<u>Accessories - HB1180</u>			
7175244	Hose Kit - R2-Series E42/E50/E60 All Arm Configurations..... (Includes hoses and quick couplers)	\$389.44	\$0.00
7114762	Hose Kit - 337, E42, E45, E50.....	\$302.28	\$0.00
6728967	Hose Kit - E50 WITH LONG ARM; E55; E60 R2 Ext. Arm - All ARMS.....	\$302.28	\$0.00
7130290	Hose Kit - 442.....	\$308.00	\$0.00
7180019	Hose Kit - E42, E42 R2 Ext. Arm, E45 - ALL WITH LONG ARM.....	\$364.37	\$0.00
7176608	Hose Kit - E60, E63, E80, E85.....	\$426.47	\$0.00

Attachment			Labor
Part Number	Description	Retail Price in US \$	
(442) (E60*, E63, E80, E85)(E88R2 Series)			
7157576	HB1380 Breaker..... (Includes Nail Point, fixing cap bolts, cradle, isolation mount, gauge tool, retainer clip and hose protector) (Must also order Mounting Cap and Hose Kit)	\$16,882.75	\$0.00
* Approved for use with E60 s/n AGSZ11321 & above			

Dealer Installed Accessories - Order From Sales			Labor
Part Number	Description	Retail Price in US \$	
<u>Mounting Frames - HB1380</u>			
(442)			
7145372	Pin-On Mounting Cap..... (Must also order hose kit, P/N 7130290)	\$792.00	\$0.00
(E60, E63)			
7117325	X-Change Mounting Cap..... (Must also order a hose kit, P/N 7176608)	\$861.14	\$0.00
(E80, E85)			
7168502	Pin-On Mounting Cap..... (Must also order hose kit, P/N 7176608, Mounting Cap uses 45mm pins)	\$1,117.97	\$0.00
(E85 R-Series)(E88R2 Series)			
7307177	Pin-On Mounting Cap.....	\$1,101.32	\$0.00

Bobcat Company Price Pages
Excavator Attachments

(Must also order hose kit, P/N 7176608, Mounting Cap uses 55mm pins)

7387138	CAP BREAKER 1/8YD CIMC (Common Industry Mechanical Coupler)	\$596.88	\$0.00
	(For use with HB1180/NB170 Breakers with CIMC "TAG" style coulers) (Must also order hose kit)		
7387137	CAP BREAKER 1/4YD CIMC (Common Industry Mechanical Coupler)	\$839.34	\$0.00
	(For use with HB1180/HB1380/HB2380/NB170/NB180 Breakers with 1/4YD CIMC "TAG" style coulers) (Must also order hose kit)		

Accessories - HB1380

7130290	Hose Kit - 442	\$308.00	\$0.00
	(Includes hoses and quick couplers)		
7176608	Hose Kit - E60, E63, E80, E85	\$426.47	\$0.00
	(Includes hoses and quick couplers)		

Part Number	Description	Attachment	Retail Price in US \$	Labor
-------------	-------------	------------	-----------------------	-------

(442) (E80, E85)(E88R2)				
7133203	HB2380 Breaker		\$20,448.72	\$0.00
	(Includes Nail Point, fixing cap bolts, cradle, isolation mount, and hose protector) (Must also order Mounting Cap and Hose Kit)			

Part Number	Description	Dealer Installed Accessories - Order From Sales	Retail Price in US \$	Labor
-------------	-------------	---	-----------------------	-------

Mounting Frames - HB2380

(442)				
7145372	Pin-On Mounting Cap		\$792.00	\$0.00
	(Must also order hose kit, P/N 7130290)			
(E80, E85)				
7168502	Pin-On Mounting Cap		\$1,117.97	\$0.00
	(Must also order hose kit, P/N 7176608, Mounting Cap uses 45mm pins)			
(E85 R-Series)(E88R2)				
7307177	Pin-On Mounting Cap		\$1,101.32	\$0.00
	(Must also order hose kit, P/N 7176608, Mounting Cap uses 55mm pins)			
7387138	CAP BREAKER 1/8YD CIMC (Common Industry Mechanical Coupler)		\$596.88	\$0.00
	(For use with HB1180/NB170 Breakers with CIMC "TAG" style coulers) (Must also order hose kit)			
7387137	CAP BREAKER 1/4YD CIMC (Common Industry Mechanical Coupler)		\$839.34	\$0.00
	(For use with HB1180/HB1380/HB2380/NB170/NB180 Breakers with 1/4YD CIMC "TAG" style coulers) (Must also order hose kit)			

Accessories - HB2380

7141851	Auto-Grease Kit		\$2,243.00	\$0.00
7130290	Hose Kit - 442		\$308.00	\$0.00
	(Includes hoses and quick couplers)			
7176608	Hose Kit - E80, E85		\$426.47	\$0.00
	(Includes hoses and quick couplers)			

**Breaker, Nitrogen
Bobcat Excavator Attachment**



Quick Specs

	<u>NB110</u>	<u>NB140</u>	<u>NB150</u>
Operating Weight (nail point & cap).....	160 lbs.	419 lbs.	556 lbs.
Impact Energy Class.....	150 ft. lb.	350 ft. lb.	550 ft. lb.
AEM Tool Energy Rating.....	81 ft. lb.	243 ft. lb.	303 ft. lb.
Blows per Minute.....	1,300 @ 7.9 gpm	1,022 @ 13.2 gpm	1,075 @ 20.4 gpm
Flow Requirements.....	3 - 8 gpm	7 - 13 gpm	13 - 20 gpm
Tool Working Length.....	11.2"	14.6"	13.0"
Tool Diameter.....	1.7"	2.2"	2.6"

Estimated Breaker Performance with Concrete

Recommended Working Thickness.....	1 - 5"	4 - 12"	6 - 15"
<i>Demolished Volume per Hour</i>			
Non-Reinforced Concrete.....	1 - 3 cu. yds.	1 - 4 cu. yds.	4 - 15 cu. yds.
Reinforced Concrete.....	1 - 3 cu. yds.	1 - 4 cu. yds.	1 - 6 cu. yds.

	<u>NB160</u>	<u>NB170</u>	<u>NB180</u>
Operating Weight (nail point & cap).....	773 lbs.	1,146 lbs.	1,251 lbs.
Impact Energy Class.....	900 ft. lb.	1,200 ft. lb.	1,500 ft. lb.
AEM Tool Energy Rating.....	592 ft. lb.	759 ft. lb.	996 ft. lb.
Blows per Minute.....	979 @ 23.3 gpm	965 @ 21.9 gpm	1,000 @ 29 gpm
Flow Requirements.....	13 - 24 gpm	11 - 24 gpm	15 - 30 gpm
Tool Working Length.....	18.4"	21.9"	22.7"
Tool Diameter.....	2.8"	3.2"	3.7"

Estimated Breaker Performance with Concrete

Recommended Working Thickness.....	10 - 20"	12 - 22"	14 - 24"
<i>Demolished Volume per Hour</i>			

Non-Reinforced Concrete.....			
Reinforced Concrete.....	6 - 20 cu. yds.	8 - 20 cu. yds.	11 - 25 cu. yds.
	3 - 8 cu. yds.	4 - 10 cu. yds.	5 - 16 cu. yds.

Part Number	Description	Attachment	Retail Price in US \$	Labor
(E10, 418) 7355660	NB110 Breaker..... (Includes Nail Point) (Must also order hose kit and mounting cap) (If used on 316 excavator, must also order temperature warning kit p/n 7140103 and coupler kit p/n 7170567)		\$4,705.29	\$0.00

Part Number	Description	Attachment	Retail Price in US \$	Labor
Dealer Installed Accessories - Order From Sales				
<i>Accessories - NB110</i>				
7170566	Hose Kit for 316 & 418.....		\$279.43	\$0.00
7160677	Pin-On Mounting Cap - 418.....		\$126.54	\$0.00

Part Number	Description	Attachment	Retail Price in US \$	Labor
(E20, E26) 7355666	NB140 Breaker..... (Includes Nail Point, fixing cap bolts) (Must also order Mounting Cap and Hose Kit)		\$4,661.83	\$0.00

Part Number	Description	Attachment	Retail Price in US \$	Labor
Dealer Installed Accessories - Order From Sales				
<i>Mounting Frames - NB140</i>				
7117752	Pin-On Mounting Cap - E20..... Pin-On Mounting Cap - E20		\$433.67	\$0.00
7113656	X-Change Mounting Cap - E26..... (Must also order appropriate hose kit, P/N 7117823)		\$713.10	\$0.00
7387135	CAP BREAKER 1/8YD CIMC (Common Industry Mechanical Coupler)..... (For use with HB680/NB140 Breakers with 1/8YD CIMC "TAG" style couplers) (Must also order hose kit)		\$513.14	\$0.00
<i>Accessories - NB140</i>				
7117832	Hose Kit - E20 Long Arm..... (Includes hoses and quick couplers)		\$302.28	\$0.00
7117823	Hose Kit - 320, 322, 323, 325, 328, E26..... (Includes hoses and quick couplers)		\$302.28	\$0.00
7114762	Hose Kit - E26 Long Arm..... (Includes hoses and quick couplers)		\$302.28	\$0.00

Part Number	Description	Attachment	Retail Price in US \$	Labor
(E26, E32, E35) 7234534	NB150 Breaker..... (Includes Nail Point, fixing cap bolts) (Must also order Mounting Cap and Hose Kit)		\$6,104.49	\$0.00

NOTE: Extendable Arm must be pinned in the retracted position to use hydraulic attachments.

Part Number	Description	Attachment	Retail Price in US \$	Labor
Dealer Installed Accessories - Order From Sales				
<i>Mounting Frames - NB150</i>				
7113657	X-Change Mounting Cap..... (Must also order a hose kit)		\$736.95	\$0.00
7387136	CAP BREAKER 1/8YD CIMC (Common Industry Mechanical Coupler)..... (For use with HB880/HB980/NB150/NB100 Breakers with 1/8 YD CIMC TAG style couplers) (Must also order hose kit)		\$510.94	\$0.00
<i>Accessories - NB150</i>				
7114762	Hose Kit - E26 Long Arm..... (Includes hoses and quick couplers)		\$302.28	\$0.00
6728963	Hose Kit - E32, E35..... (Includes hoses and quick couplers)		\$302.28	\$0.00
7180019	Hose Kit - E32 Long Arm, E35 Long Arm..... (Includes hoses and quick couplers)		\$364.37	\$0.00
7175244	Hose Kit - E32/E35 Ext. Arm, R2-Series..... (Includes hoses and quick couplers)		\$389.44	\$0.00

Part	Attachment	Labor
------	------------	-------

Number	Description	Retail Price in US \$	
(E32, E35, E42, E45, E50, E55) (E42R2, E50R2, E60R2)			
7234536	NB160 Breaker (Includes Nail Point, fixing cap bolts) (Must also order Mounting Cap and Hose Kit)	\$7,646.14	\$0.00

NOTE: Extendable Arm must be pinned in the retracted position to use hydraulic attachments.

Dealer Installed Accessories - Order From Sales		Retail Price in US \$	Labor
Part Number	Description		
<u>Mounting Frames - NB160</u>			
7113657	X-Change Mounting Cap (Must also order a hose kit)	\$736.95	\$0.00
7387136	CAP BREAKER 1/8YD CIMC (Common Industry Mechanical Coupler) (For use with HB880/HB980/NB150/NB160 Breakers with 1/8YD CIMC "TAG" style couplers) (Must also order hose kit)	\$510.94	\$0.00
<u>Accessories - NB160</u>			
7175244	Hose Kit - R2-Series E42/E50/E60 All Arm Configurations (Includes hoses and quick couplers)	\$389.44	\$0.00
6728967	Hose Kit - E50 WITH LONG ARM; E55; E60 R2 Ext. Arm - All ARMS (Includes hoses and quick couplers)	\$302.28	\$0.00
6728963	Hose Kit - E32, E35 (Includes hoses and quick couplers)	\$302.28	\$0.00
7180019	Hose Kit - E32, E35, E42, E45 - ALL WITH LONG ARM (Includes hoses and quick couplers)	\$364.37	\$0.00
7114762	Hose Kit - 337, E42, E45, E50 (Includes hoses and quick couplers)	\$302.28	\$0.00

Attachment		Retail Price in US \$	Labor
Part Number	Description		
(E63, E80, E85)(E88R2)			
7355672	NB170 Breaker (Includes Nail Point, fixing cap bolts) (Must also order Mounting Cap and Hose Kit)	\$11,642.57	\$0.00

Dealer Installed Accessories - Order From Sales		Retail Price in US \$	Labor
Part Number	Description		
<u>Mounting Frames - NB170</u>			
(E63)			
7117325	X-Change Mounting Cap (Must also order a hose kit, P/N 7176608)	\$861.14	\$0.00
(E80, E85)			
7168502	Pin-On Mounting Cap (Must also order hose kit, P/N 7176608, Mounting Cap uses 45mm pins)	\$1,117.97	\$0.00
(E85 R-Series)(E88R2 Series)			
7307177	Pin-On Mounting Cap (Must also order hose kit, P/N 7176608, Mounting Cap uses 55mm pins)	\$1,101.32	\$0.00
7387138	CAP BREAKER 1/8YD CIMC (Common Industry Mechanical Coupler) (For use with HB1180/NB170 Breakers with CIMC "TAG" style couplers) (Must also order hose kit)	\$596.88	\$0.00
7387137	CAP BREAKER 1/4YD CIMC (Common Industry Mechanical Coupler) (For use with HB1180/HB1380/HB2380/NB170/NB180 Breakers with 1/4YD CIMC "TAG" style couplers) (Must also order hose kit)	\$839.34	\$0.00
<u>Accessories - NB170</u>			
7176608	Hose Kit - E60, E63, E80, E85 (Includes hoses and quick couplers)	\$426.47	\$0.00

Attachment		Retail Price in US \$	Labor
Part Number	Description		
(E80, E85)(E88R2)			
7355674	NB180 Breaker (Includes Nail Point, fixing cap bolts, cradle, isolation mount, and hose protector) (Must also order Pin-On Mounting Cap and Hose Kit)	\$13,285.26	\$0.00

Dealer Installed Accessories - Order From Sales		Retail Price in US \$	Labor
Part Number	Description		
<u>Mounting Frames - NB180</u>			
(E85)			
7168502	Pin-On Mounting Cap (Must also order hose kit, P/N 7176608, Mounting Cap uses 45mm pins)	\$1,117.97	\$0.00
(E85 R-Series)(E88R2 Series)			
7307177	Pin-On Mounting Cap (Must also order hose kit, P/N 7176608, Mounting Cap uses 55mm pins)	\$1,101.32	\$0.00
7387138	CAP BREAKER 1/8YD CIMC (Common Industry Mechanical Coupler) (For use with HB1180/NB170 Breakers with CIMC "TAG" style couplers) (Must also order hose kit)	\$596.88	\$0.00
7387137	CAP BREAKER 1/4YD CIMC (Common Industry Mechanical Coupler) (For use with HB1180/HB1380/HB2380/NB170/NB180 Breakers with 1/4YD CIMC "TAG" style couplers) (Must also order hose kit)	\$839.34	\$0.00
<u>Accessories - NB180</u>			
7176608	Hose Kit - E80, E85 (Includes hoses and quick couplers)	\$426.47	\$0.00

Bucket
Bobcat Excavator Attachments

Part Number	Description	Buckets			Retail Price IN US \$	Labor
		ISO Heaped Capacity (FT ³)	Ship. WGT.			

Buckets & Grading Blade Current

Class 0 Buckets

(418 Pin-On Style) (E10)

7157626	8" Trenching Bucket with Teeth.....	0.31	29	\$493.00	\$0.00
7140493	12" Trenching Bucket with Teeth.....	0.54	37	\$540.00	\$0.00
7140489	16" Trenching Bucket with Teeth.....	0.79	43	\$559.00	\$0.00
7150275	31" Grading Bucket, Smooth Lip.....	1.5	58	\$670.00	\$0.00

Class I Buckets

(320, 322, 323, 324 Pin-On Style) (E20)

6715495	9" Trenching Bucket, 2 Bolt-On Teeth.....	0.5	53	\$546.00	\$0.00
6715496	12" Trenching Bucket, 3 Bolt-On Teeth.....	0.7	63	\$604.00	\$0.00
6715497	16" Trenching Bucket, 3 Bolt-On Teeth.....	1.1	75	\$663.00	\$0.00
7109522	18" Trenching Bucket, 4 Bolt-On-Teeth.....	1.3	90	\$682.00	\$0.00
6715498	20" Trenching Bucket, 4 Bolt-On Teeth.....	1.4	85	\$721.00	\$0.00
6715499	39" Grading Bucket, Smooth Lip.....	3.1	146	\$760.00	\$0.00

Class II Buckets

(325, 328, 425 X-Change™ Style) (E26)

*Class II includes weld-on shank with replaceable teeth

*Class II Smooth Lip includes Bolt On Cutting Edge

7333229	12" Trenching Bucket, Smooth Lip..... (Not compatible with hydraulic clamp)	1.33	167	\$912.61	\$0.00
7333230	12" Trenching Bucket, 3 Weld-On Shanks..... (Not compatible with hydraulic clamp)	1.33	173	\$912.61	\$0.00
7333244	16" Trenching Bucket, Smooth Lip.....	1.92	192	\$955.82	\$0.00
7333245	16" Trenching Bucket, 4 Weld-On Shanks.....	1.92	195	\$955.82	\$0.00
7333254	20" Trenching Bucket, Smooth Lip.....	2.53	226	\$1,017.44	\$0.00
7333255	20" Trenching Bucket, 4 Weld-On Shanks.....	2.53	230	\$1,017.44	\$0.00
7333259	24" Trenching Bucket, Smooth Lip.....	3.14	254	\$1,109.37	\$0.00
7333260	24" Trenching Bucket, 4 Weld-On Shanks.....	3.14	255	\$1,109.37	\$0.00
7333978	36" Grading Bucket, Bolt On Cutting Edge.....	5.19	279	\$1,419.68	\$0.00
7333979	48" Grading Bucket, Bolt On Cutting Edge.....	7.12	328	\$1,715.98	\$0.00

NOTE: THESE BUCKETS ARE THE SAME BUCKETS AS USED WITH THE 607 BACKHOES.

6817096	55" Grading Blade.....	N/A	320	\$1,005.00	\$0.00
---------	------------------------	-----	-----	------------	--------

Part Number	Description	Buckets			Retail Price IN US \$	Labor
		ISO Heaped Capacity (FT ³)	Ship. WGT.			

Buckets & Grading Blade Current

Class III Buckets

(329, 331, 331E, 334, 430 X-Change™ Style) (E32, E35)

*Class III includes weld-on shank with replaceable teeth

*Class III Smooth Lip includes Bolt On Cutting Edge

7323832	12" Trenching Bucket, Smooth Lip.....	1.6	178	\$1,221.81	\$0.00
7323833	12" Trenching Bucket, 3 Weld-On Shanks.....	1.6	184	\$1,221.81	\$0.00
7324829	16" Trenching Bucket, Smooth Lip.....	2.31	206	\$1,256.42	\$0.00
7324830	16" Trenching Bucket, 4 Weld-On Shanks.....	2.31	208	\$1,256.42	\$0.00
7323841	18" Trenching Bucket, Smooth Lip.....	2.68	226	\$1,376.46	\$0.00
7323842	18" Trenching Bucket, 4 Weld-On Shanks.....	2.68	231	\$1,376.46	\$0.00
7323820	20" Trenching Bucket, Smooth Lip.....	3.05	241	\$1,433.78	\$0.00
7323821	20" Trenching Bucket, 4 Weld-On Shanks.....	3.05	244	\$1,433.78	\$0.00
7323529	24" Trenching Bucket, Smooth Lip.....	3.8	238	\$1,482.40	\$0.00
7323530	24" Trenching Bucket, 4 Weld-On Shanks.....	3.8	274	\$1,482.40	\$0.00
7323822	30" Trenching Bucket, Smooth Lip.....	4.91	319	\$1,651.05	\$0.00
7323823	30" Trenching Bucket, 5-Weld-On Shanks.....	4.91	325	\$1,651.05	\$0.00
7323824	36" Trenching Bucket, Smooth Lip.....	6.02	365	\$1,797.10	\$0.00
7323825	36" Trenching Bucket, 6 Weld-On Shanks.....	6.02	365	\$1,797.10	\$0.00
7333978	36" Grading Bucket, Bolt On Cutting Edge.....	5.19	279	\$1,419.68	\$0.00
7333979	48" Grading Bucket, Bolt On Cutting Edge.....	7.12	328	\$1,715.98	\$0.00

NOTE: THESE BUCKETS ARE THE SAME BUCKETS AS USED WITH THE 709, 8709, 811 & 8811 BACKHOES.

6817096	55" Grading Blade.....	N/A	320	\$1,005.00	\$0.00
---------	------------------------	-----	-----	------------	--------

Class III Buckets

(E42 "Standard" Buckets)

*Class III includes weld-on shank with replaceable teeth

*Class III Smooth Lip includes Bolt On Cutting Edge

7323832	12" Trenching Bucket, Smooth Lip.....	1.6	178	\$1,221.81	\$0.00
7323833	12" Trenching Bucket, 3 Weld-On Shanks.....	1.6	184	\$1,221.81	\$0.00
7324829	16" Trenching Bucket, Smooth Lip.....	2.31	206	\$1,256.42	\$0.00
7324830	16" Trenching Bucket, 4 Weld-On Shanks.....	2.31	208	\$1,256.42	\$0.00
7323841	18" Trenching Bucket, Smooth Lip.....	2.68	226	\$1,376.46	\$0.00

7323842	18" Trenching Bucket, 4 Weld-On Shanks.....	2.68	231	\$1,376.46	\$0.00
7323529	24" Trenching Bucket, Smooth Lip.....	3.8	238	\$1,482.40	\$0.00
7323530	24" Trenching Bucket, 4 Weld-On Shanks.....	3.8	274	\$1,482.40	\$0.00

Part		Buckets			Labor
Number	Description	ISO Heaped Capacity (FT ³)	Ship. WGT.	Retail Price IN US \$	

Class IV Buckets

(335, 337, 341 & 435 X-CHANGE™ STYLE) (E42, E45, E50, E55, E60, E63) (E42R2, E50R2, E60R2)

*Class IV includes weld-on shank with replaceable teeth

*Class IV Smooth Lip includes Bolt On Cutting Edge

7321975	12" Trenching Bucket, Smooth Lip.....	2.19	225	\$1,306.14	\$0.00
7321974	12" Trenching Bucket, 3 Weld-On Shanks.....	2.19	225	\$1,306.14	\$0.00
7322080	18" Trenching Bucket, Smooth Lip.....	3.69	285	\$1,517.01	\$0.00
7322082	18" Trenching Bucket, 4 Weld-On Shanks.....	3.69	285	\$1,517.01	\$0.00
7311869	24" Trenching Bucket, Smooth Lip.....	5.27	346	\$1,749.49	\$0.00
7311868	24" Trenching Bucket, 4 Weld-On Shanks.....	5.27	341	\$1,749.49	\$0.00
7322087	30" Trenching Bucket, Smooth Lip.....	6.86	404	\$1,972.26	\$0.00
7322088	30" Trenching Bucket, 5-Weld-On Shanks.....	6.86	405	\$1,972.26	\$0.00
7322090	36" Trenching Bucket, Smooth Lip.....	8.46	461	\$2,127.91	\$0.00
7322091	36" Trenching Bucket, 6 Weld-On Shanks.....	8.46	458	\$2,127.91	\$0.00
7333657	36" Grading Bucket, Bolt On Cutting Edge.....	6.33	355	\$1,701.87	\$0.00
7333658	48" Grading Bucket, Bolt On Cutting Edge.....	8.69	444	\$2,090.10	\$0.00
7333659	60" Grading Bucket, Bolt On Cutting Edge.....	11.05	355	\$2,469.63	\$0.00

(APPROVED FOR 335, 337, 341, & 435 X-CHANGE STYLE. NOT APPROVED FOR E42-E63)

6817096	55" Grading Blade.....	N/A	320	\$1,005.00	\$0.00
---------	------------------------	-----	-----	------------	--------

Class V Buckets

(E55, E63) (E60R2)

*Class V includes weld-on shank with replaceable teeth

*Class V Smooth Lip includes Bolt On Cutting Edge

7333363	18" Trenching Bucket, Smooth Lip.....	4.36	335	\$1,568.93	\$0.00
7333364	18" Trenching Bucket, 4 Weld-On Shanks.....	4.36	332	\$1,568.93	\$0.00
7333373	24" Trenching Bucket, Smooth Lip.....	6.24	402	\$1,807.91	\$0.00
7333374	24" Trenching Bucket, 4 Weld-On Shanks.....	6.24	383	\$1,807.91	\$0.00
7333378	30" Trenching Bucket, Smooth Lip.....	8.16	465	\$2,038.19	\$0.00
7333379	30" Trenching Bucket, 5-Weld-On Shanks.....	8.16	460	\$2,038.19	\$0.00
7333383	36" Trenching Bucket, Smooth Lip.....	10.09	529	\$2,197.14	\$0.00
7333384	36" Trenching Bucket, 6 Weld-On Shanks.....	10.09	516	\$2,197.14	\$0.00
7333658	48" Grading Bucket, Bolt On Cutting Edge.....	8.69	444	\$2,090.10	\$0.00
7333659	60" Grading Bucket, Bolt On Cutting Edge.....	11.05	355	\$2,469.63	\$0.00

Part		Buckets		
Number	Description	ISO Heaped Capacity (FT ³)	Ship. WGT.	Retail Price IN US \$

Class VI Buckets

E80, E85 M-SERIES PIN-ON BUCKETS*

(E80, E85) *Not compatible R-Series E85

7171895	18" Trenching Bucket, 3 Weld-On Shanks.....	6.6	342	\$1,455.00	\$0.00
7171893	24" Trenching Bucket, 4 Weld-On Shanks.....	9.5	414	\$1,756.00	\$0.00
7171897	36" Trenching Bucket, 5 Weld-On Shanks.....	15	617	\$2,085.00	\$0.00
7171899	54" Grading Bucket, Smooth Lip.....	14.1	620	\$2,618.00	\$0.00

E85 R-Series Pin-On Buckets*

(E85R)(E88R2) *Not compatible with M-Series E80, E85

7322125	18" Trenching Bucket, 3 Weld-On Shanks.....	5.69	486	\$1,659.76	\$0.00
7322123	24" Trenching Bucket, 4 Weld-On Shanks.....	8.14	561	\$1,898.74	\$0.00
7322126	36" Trenching Bucket, 5 Weld-On Shanks.....	13.27	704	\$2,254.46	\$0.00
7334506	60" Grading Bucket, Bolt On Cutting Edge.....	15.51	668	\$2,830.75	\$0.00

E145 Pin-On Buckets

(E145)

7382549	24" Trenching Bucket, Includes Wear Shrouds.....	11.34	878	\$3,799.00	\$0.00
7382550	36" Trenching Bucket, Includes Wear Shrouds.....	19.17	1147	\$4,373.00	\$0.00
7382551	42" Trenching Bucket, Includes Wear Shrouds.....	22.95	1253	\$5,015.00	\$0.00
7382900	60" Grading Bucket, Smooth Lip.....	37.53	1548	\$5,586.00	\$0.00

E165 Pin-On Buckets

(E145)

7401685	36" Trenching Bucket, Includes Wear Shrouds.....	21.6	1483	\$6,686.66	\$0.00
7401686	42" Trenching Bucket, Includes Wear Shrouds.....	26.1	1641	\$7,517.99	\$0.00
7401687	48" Trenching Bucket, Includes Wear Shrouds.....	30.5	1775	\$8,085.29	\$0.00
7401688	60" Grading Bucket, Smooth Lip.....	44.28	2009	\$8,936.99	\$0.00

442 Pin-On Buckets

(442)

7125310	18" Trenching Bucket, 3 Weld-On Shanks.....	5.2	342	\$1,365.00	\$0.00
7125308	24" Trenching Bucket, 4 Weld-On Shanks.....	7.3	414	\$1,643.00	\$0.00
7125312	36" Trenching Bucket, 5 Weld-On Shanks.....	9.9	617	\$1,968.00	\$0.00
7125306	54" Grading Bucket, Smooth Lip.....	9.5	406	\$3,761.00	\$0.00

**Clamp, Hydraulic
 Bobcat Excavator Attachment**



Quick Specs

	<u>E20</u>	<u>E26-E35</u>	<u>E42</u>	<u>E42-E63</u>	<u>E85</u>
Operating Weight.....	50 lbs.	126 lbs.	171 lbs.	218 lbs.	449 lbs.
Clamp Width.....	5.5"	13.0"	14.4"	15.0"	16.5"
Tooth Radius	19.8"	27.2"	27.2"	32.0"	41.0"
Tooth Thickness.....	1/2"	3/4"	3/4"	1"	1"
Class.....	I	III	III	IV	V
	<u>322-334</u>	<u>325-430</u>	<u>335-435</u>	<u>442</u>	
Operating Weight.....	70 lbs.	176 lbs.	299 lbs.	265 lbs.	
Clamp Width.....	5.5"	13.0"	14.4"	16.0"	
Tooth Radius	21.5"	27.2"	30.7"	31.3"	
Tooth Thickness.....	1/2"	3/4"	1"	1"	
Class.....	I	III	IV	V	

Pro Clamp™ System

	<u>E32i-E35</u>	<u>E42-E55</u>
Operating Weight.....	121 lbs.	215 lbs.
Clamp Width.....	12"	14"
Class.....	III	IV

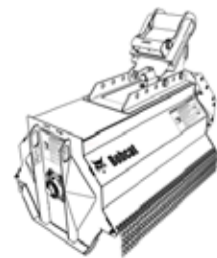
Part Number	Description	Attachment	Retail Price in US \$	Labor
Hydraulic Clamp is NOT recommended in combination with Hydraulic Breakers				
(E20) 7258209	Hydraulic Clamp (Includes Clamp, cylinder, hoses, hose bracket, & pins) (Hydraulic Clamp is NOT recommended in combination with Hydraulic Breakers)		\$1,316.57	\$270.00
(322, 323, 324) 7110207	Hydraulic Clamp (Includes Clamp, cylinder, port relief, cylinder bracket, hoses & pins) (Use with a Trenching Bucket) (Hydraulic Clamp is NOT recommended in combination with Hydraulic Breakers)		\$1,624.41	\$270.00
(325*, 328, 329, 331*, 334, 425, 430) CLASS II/III 7104321	Hydraulic Clamp (Includes cylinder, hoses & pins, and port relief) (For excavators with long arm option must also order hose extension P/N 6714741 (Qty. 2) from Parts) (329 excavator must also order Auxiliary Hydraulics p/n 7126596) (The Hydraulic Clamp is NOT approved for use with the extendable arm option) (Hydraulic Clamp is NOT recommended in combination with Hydraulic Breakers) (For non-current excavators refer to Bobcat Parts for correct Port Relief, Port Relief Block and Clamp Cylinder Bracket.)		\$2,409.16	\$270.00
(E26) Class III				

Bobcat Company Price Pages
Excavator Attachments

7206504	Hydraulic Clamp, Standard Arm.....	\$2,409.16	\$270.00
	(Includes cylinder, hoses & pins)		
7206505	Hydraulic Clamp, Long Arm.....	\$2,409.16	\$270.00
	(Includes cylinder, hoses & pins)		
(E32, E35) Class III			
7171388	Hydraulic Clamp, Standard Arm.....	\$2,590.73	\$270.00
	(Includes cylinder, hoses & pins)		
7171389	Hydraulic Clamp, Long Arm.....	\$2,590.73	\$270.00
	(Includes cylinder, hoses & pins)		
7203200	Hydraulic Clamp, Extendable Arm.....	\$2,590.73	\$270.00
	(The Hydraulic Clamp is approved for use with the extendable arm extended) (Includes cylinder, hoses & pins)		
(E42) Class III			
7182692	Hydraulic Clamp, Standard Arm.....	\$2,726.68	\$270.00
	(For use with Class III Buckets) (Includes cylinder, hoses & pins)		
7182693	Hydraulic Clamp, Long Arm.....	\$2,726.68	\$270.00
	(For use with Class III Buckets) (Includes cylinder, hoses & pins)		
(E42R2) Class III			
7419577	Hydraulic Clamp, Long Arm.....	\$2,691.00	\$270.00
	(For use with Class III Buckets) (Includes cylinder, hoses & pins)		
(337, 341) CLASS IV			
7131930	Hydraulic Clamp.....	\$3,732.24	\$270.00
	(Includes cylinder, hoses & pins, but for 337 with long arm must also order hose extension P/N 6808278 (Qty. 2) from Parts) (Use with a Trenching Bucket or 3-Tine Grapple)		
(335, 435) CLASS IV			
7131931	Hydraulic Clamp.....	\$3,144.13	\$270.00
	(Includes cylinder, hoses & pins) (Use with a Trenching Bucket or 3-Tine Grapple) (If using with 435 equipped with Long Arm must also order hose extensions p/n 6808278, qty 2)		

Part Number	Description	Attachment	Retail Price in US \$	Labor
(E42, E45) CLASS IV				
7186614	Hydraulic Clamp, Standard Arm.....		\$3,144.13	\$270.00
	(For use with Class IV Buckets) (Includes cylinder, hoses & pins)			
7186615	Hydraulic Clamp, Long Arm.....		\$3,144.13	\$270.00
	(For use with Class IV Buckets) (Includes cylinder, hoses & pins)			
7269969	Hydraulic Clamp, Extendable Arm.....		\$3,145.23	\$270.00
	(For use with Class IV Buckets) (Includes cylinder, hoses & pins)			
(E50) CLASS IV				
7182661	Hydraulic Clamp, Standard Arm.....		\$3,277.87	\$270.00
	(Includes cylinder, hoses & pins)			
7182663	Hydraulic Clamp, Long Arm.....		\$3,277.87	\$270.00
	(Includes cylinder, hoses & pins)			
(E55) CLASS IV				
7182663	Hydraulic Clamp.....		\$3,277.87	\$270.00
	(For use with Class IV Buckets) (Includes cylinder, hoses & pins)			
7269968	Hydraulic Clamp, Extendable Arm.....		\$3,279.98	\$270.00
	(For use with Class IV Buckets) (Includes cylinder, hoses & pins)			
(42R2, E50R2, E60R2) CLASS IV				
7419569	Hydraulic Clamp, Long Arm (E42R2, E50R2, E60R2).....		\$3,235.00	\$270.00
	(For use with Class IV Buckets) (Includes cylinder, hoses & pins)			
7434998	Hydraulic Clamp, Extendable Arm.....		\$3,235.00	\$270.00
	(For use with Class IV Buckets) (Includes cylinder, hoses & pins)			
(E60, E63)				
7187919	Hydraulic Clamp.....		\$3,656.21	\$270.00
	(Includes cylinder, hoses & pins)			
(E80, E85)				
7171909	Hydraulic Clamp.....		\$5,256.48	\$270.00
	(Includes cylinder, hoses & 45mm pins)			
(E85 R-Series)(E88R2)				
7333391	Hydraulic Clamp.....		\$5,178.26	\$270.00
	(Includes cylinder, hoses & 55mm pins)			

**Flail Mower
Bobcat Excavator Attachment**



Quick Specs

	<u>30FM</u>	<u>40FM</u>	<u>40FMR</u>
Weight (with X-Change Mount).....	649 lbs.	736 lbs.	881 lbs.
Weight (with Pin-On Mount).....	N/A	708 lbs.	876 lbs.

Bobcat Company Price Pages
Excavator Attachments

Working Width.....	30"	40"	40"
Overall Width.....	50.4"	60.4"	60.4"
Cutting Capacity.....	Up to 4" (Only up to 1.5" on E32i, E35i)	Up to 4"	Up to 4"
Hydraulic Flow.....	12.2-19.5 GPM	14-22.4 GPM	18.4-31.7 GPM
Number of Knives.....	27	36	36
Mount Options.....	X-Change	X-Change, Pin-On	X-Change, Pin-On

Part Number	Description	Attachment	Retail Price in US \$	Labor
(E32, E35) (E32i*, E35i*)				
7225484	30" Flail Mower - 30FM		\$9,436.68	\$202.50
	(Approved only for excavator models equipped with an enclosed cab) (Approved on Long and Extendable Arm – must have extendable arm retracted during flail mower use.)			
	(Must also order case drain kit, hose kit and mounting cap)			
(E42, E45, E50, E55) (E42R2, E50R2, E60R2)				
7225485	40" Flail Mower - 40FM		\$10,604.30	\$202.50
	(Approved only for excavator models equipped with an enclosed cab) (Approved on Long and Extendable Arm – must have extendable arm retracted during flail mower use.)			
	(Must also order case drain kit, hose kit and mounting cap)			
(E63, E80, E85) (E88R2)				
7225486	40" Reinforced Flail Mower - 40FMR		\$11,775.22	\$202.50
	(Approved only for excavator models equipped with an enclosed cab)			
	(Must also order case drain kit, hose kit and mounting cap)☐			

Part Number	Description	Factory Installed Accessories	Retail Price in US \$	Labor
Accessories - 30" Flail Mower - 30FM				
7245468	Hoses for E32, E32i, E35, E35i		\$326.12	\$0.00
	(Includes hoses and quick couplers) (Must order 7245617 and 7238337)			
7238337	X-Change Mounting Cap - E32, E32i, E35, E35i		\$1,256.56	\$0.00
	(Mounting cap will arrive assembled on Flail Mower) (Must also order a hose kit and case drain kit)			
Accessories - 40" Flail Mower - 40FM				
7245468	Hoses for R2-Series E42/E50/E60 All Arm Configurations		\$326.12	\$0.00
	(Includes hoses and quick couplers) (Must order a mounting cap and case drain kit)			
7245468	Hoses for Std. Arm E42, E45, E50 and Ext Arm E42, E45		\$326.12	\$0.00
	(Includes hoses and quick couplers) (Must order a mounting cap and case drain kit)			
7245459	Hoses for Std Arm E42, E45, E50, E55, and E55 Ext Arm		\$366.61	\$0.00
	(Includes hoses and quick couplers) (Must order a mounting cap and case drain kit)			
7238337	X-Change Mounting Cap - E42, E45, E50, E55, E60		\$1,256.56	\$0.00
	(Mounting cap will arrive assembled on Flail Mower) (Must also order a hose kit and case drain kit)			
7246964	Pin-On Mounting Cap - E42, E45, E50, E55		\$1,176.49	\$0.00
	(Mounting cap will arrive assembled on Flail Mower) (Must also order a hose kit and case drain kit)			
Accessories - 40" Reinforced Flail Mower - 40FMR				
7260182	Hoses for 40FMR on E63, E80, E85 and E88R2		\$367.85	\$0.00
	(Includes hoses and quick couplers) (Must order a mounting cap and case drain kit)			
7238337	X-Change Mounting Cap - E63		\$1,256.56	\$0.00
	(Mounting cap will arrive assembled on Flail Mower) (Must also order a hose kit and case drain kit)			
7238338	Pin-On Mounting Cap - E80, E85		\$1,582.68	\$0.00
	(Mounting cap will arrive assembled on Flail Mower)			
	(Must also order a hose kit and case drain kit, mounting cap uses 45 mm pins)			
7307134	Pin-On Mounting Cap - E85 R-Series, E88 R2-Series		\$1,558.84	\$0.00
	(Mounting cap will arrive assembled on Flail Mower)			
	(Must also order a hose kit and case drain kit, mounting cap uses 55 mm pins)			

**Grapple, 3-Tine
Bobcat Excavator Attachment**



Quick Specs

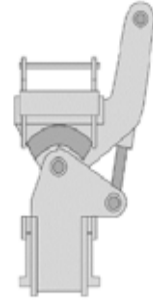
	<u>Grapple, Class III</u>	<u>Grapple, Class IV</u>
Operating Weight.....	200 lbs.	225 lbs.
Grapple Width.....	20.5"	20.5"
Tine Radius.....	27.0"	33.0"
Tine Thickness.....	0.75"	0.75"

Part	Attachment	Labor
------	------------	-------

Bobcat Company Price Pages
Excavator Attachments

Number	Description	Retail Price in US \$	
(325, 328, 329, 331, 334, 425, 430) (E26, E32, E35)			
7102977	3-Tine Grapple, Class III..... (X-Change System Required) (Hydraulic Clamp is recommended when using 3-Tine Grapple)	\$1,073.75	\$0.00
(335, 337, 341, 435) (E42, E45, E50, E55, E60, E63)(E42R2, E50R2, E60R2)			
6817104	3-Tine Grapple, Class IV..... (X-Change System Required) (Hydraulic Clamp is recommended when using 3-Tine Grapple)	\$1,152.73	\$0.00

**Hydra-Tilt
Bobcat Excavator Attachment**



Quick Specs

Operating Weight..... 250 lbs.
Width..... 17.5"
Length..... 31"
Side-to-Side Rotation..... 60°
Output Torque..... 3,210 ft-lbs. @ 3000 psi

Part Number	Description	Attachment	Retail Price in US \$	Labor
(325, 328, 329, 331, 331E, 334, 335, 337, 341, 425, 430, 435) (E26, E32, E35, E42, E45, E50, E55, E60, E63)(E42R2, E50R2, E60R2)				
6728578	Hydra-Tilt..... (Must also order Hose Kit below) (Must also order Auxiliary Hydraulics p/n 7126596 if using with 329 excavator) (Not compatible with E42-E55 Pro Clamp™)		\$2,739.68	\$0.00

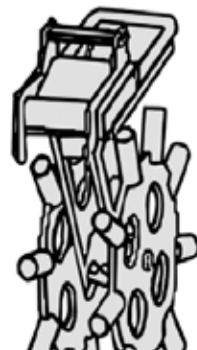
NOTE: Extendable Arm must be pinned in the retracted position to use hydraulic attachments.

Part Number	Description	Dealer Installed Accessories - Order From Sales	Retail Price in US \$	Labor
(325, 329, 331, 331E, 425, 430) (E26, E32, E35, E60, E63) (R2-Series E42/E50/E60)				
6729174	Excavator Hose Kit..... (This hose kit must be used on above excavators when using a Hydra-Tilt)		\$310.48	\$0.00
(328, 334, 335, 337, 430 Long Arm, 435) (E42, E45, E50) (E26, E32, E35, E42 E45 – All with Long Arm)				
6729175	Excavator Hose Kit..... (This hose kit must be used on above excavators when using a Hydra-Tilt)		\$326.12	\$0.00
(341 Long Arm, 435 Long Arm, E50 Long Arm, E55)				
6729176	Excavator Hose Kit..... (This hose kit must be used on above excavators when using a Hydra-Tilt)		\$344.01	\$0.00

**Laser Equipment
Bobcat Excavator Attachment**

Part Number	Description	Dealer Installed Accessories - Order From Sales	Retail Price in US \$	Labor
(322, 323, 325, 328, 329, 331, 331E, 334, 335, 337, 341, 425, 430, 435, 442) (E26, E32, E35, E42, E45, E50, E55, E60, E63, E80, E85)				
7387821	Laser Receiver, CR700..... (Can be used as handheld, machine, or rod-mounted laser receiver) (Includes magnetic mount for machines and clamp mount for grader rod)		\$605.52	\$0.00
7275232	Laser Transmitter, Dual Slope..... (Trimble GL422; Includes CR700 Receiver)		\$4,034.94	\$0.00
6688806	Tripod.....		\$402.62	\$0.00

**Packer Wheel
Bobcat Excavator Attachment**



Bobcat Company Price Pages
Excavator Attachments

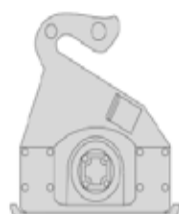


Quick Specs

Operating Weight..... 386 lbs.
Width..... 11.0"
Length..... 39.8"
Wheel Assembly..... 2
Wheel Diameter..... 30.0"
Sheepfoot (hollow tube)..... 18 (9 per wheel)

Part Number	Description	Attachment	Retail Price in US \$	Labor
(325, 328, 329, 331, 331E, 334, 335, 337, 341, 425, 430, 435) (E26, E32, E35, E42, E45, E50, E55, E60, E63)(E42R2, E50R2, E60R2)				
6806644	Packer Wheel.....		\$2,821.21	\$0.00

Plate Compactor
Bobcat Excavator Attachment



Quick Specs

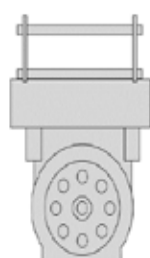
	<u>PCF34</u>	<u>PCF64</u>
Operating Weight.....	478 lbs.	856 lbs.
Width.....	18.75"	23.5"
Length.....	26.0"	34.2"
Dynamic Force.....	3400 lbs.	6400 lbs.
Frequency.....	2100 VPM	2000 VPM
Minimum Flow.....	12 GPM	12 GPM
Maximum Flow.....	28 GPM	28 GPM

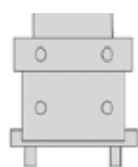
Part Number	Description	Attachment	Retail Price in US \$	Labor
(E32, E35, E42, E45, E50, E55, E60, E63) (E42R2, E50R2, E60R2)				
7211623	PCF34 Plate Compactor..... (Must also order X-Change Mounting Cap and Hose Kit)		\$6,599.17	\$202.50
(E55, E60, E63, E80, E85)(E60R2, E88R2)				
7210256	PCF64 Plate Compactor..... (Must also order Mounting Cap and Hose Kit)		\$7,617.83	\$202.50

NOTE: Extendable Arm must be pinned in the retracted position to use hydraulic attachments.

Part Number	Description	Dealer Installed Accessories - Order From Sales	Retail Price in US \$	Labor
<u>Mounting Frame - PCF34</u>				
7113656	X-Change Mounting Cap - E32, E35, E42, E45, E50, E55, E60, E63..... (Must also order a hose kit)		\$713.10	\$0.00
<u>Mounting Frame - PCF64</u>				
7210254	Mounting Cap - E80, E85 M-Series..... (Must also order a hose kit, mounting caps uses 45mm pins)		\$899.60	\$0.00
7307178	Mounting Cap - E85 R-Series..... (Must also order a hose kit, mounting caps uses 55mm pins)		\$969.93	\$0.00
7113657	X-Change Mounting Cap - E55, E60, E63..... (Must also order a hose kit)		\$736.95	\$0.00
<u>Hose Kits- PCF34, PCF64</u>				
7217834	Hose Kit - for E32, E35, E42, E45, E50 Long Arms & E55..... (Includes hoses and quick couplers)		\$335.56	\$0.00
7217835	Hose Kit -for (R2 E42/E50/E60 All Arms) E32, E35, E42, E45, E50 Std. & Ext. Arm..... (Includes hoses and quick couplers)		\$310.48	\$0.00
7217836	Hose Kit - for E60, E63, E80, E85, E88R2.....		\$438.39	\$0.00

Power Tilt®
Bobcat Excavator Attachment





Quick Specs

	<u>PTX3</u>	<u>PTX4</u>
Operating Weight.....	170 lbs.	285 lbs.
Width.....	11"	11"
Length.....	25"	25"
Output Torque.....	2100 ft. lbs. @ 3000 psi	3250 ft. lbs. @ 3000 psi
Side-to-Side Rotation.....	178°	180°

Part Number	Attachment Description	Retail Price in US \$	Labor
-------------	------------------------	-----------------------	-------

	(325, 328, 329, 331, 331E, 334, 425, 430) (E26, E32, E35)		
7319636	PTX3..... <small>(Includes hoses and quick couplers) (Must also order Auxiliary Hydraulics p/n 7126596 if using with 329 excavator)</small>	\$6,153.41	\$0.00

NOTE: Extendable Arm must be pinned in the retracted position to use hydraulic attachments.

	(335, 337, 341, 435) (E42, E45, E50, E55, E60, E63)(E42R2, E50R2, E60R2)		
7319637	PTX4..... <small>(Includes hoses and quick couplers) (Must also order Hose Kit below)</small>	\$8,161.43	\$0.00

Part Number	Description	Retail Price in US \$	Labor
-------------	-------------	-----------------------	-------

	(R2-Seres E42/50/E60 All Arms) (325, 425) (E63, E26 Short Arm)		
7331054	Excavator Hose Kit..... <small>(This hose kit must be used on above excavators when using a Power Tilt)</small>	\$298.56	\$0.00

	(329, 331, 331E, 430, 328, 335, 435) (E32/35 Short Arm, E32/35 Ext. Arm, E42/45 Ext Arm, E42/45 Short Arm, E26 Long Arm)		
7331055	Excavator Hose Kit..... <small>(This hose kit must be used on above excavators when using a Power Tilt)</small>	\$298.56	\$0.00

	(334, 337, 430 Long Arm) (E50 Short Arm, E32/35 Long Arm, E55 Ext. Arm, E42/45 Long Arm)		
7331056	Excavator Hose Kit..... <small>(This hose kit must be used on above excavators when using a Power Tilt)</small>	\$302.28	\$0.00

	(341 Long Arm, 435 Long Arm) (E55/50 Long Arm)		
7331057	Excavator Hose Kit..... <small>(This hose kit must be used on above excavators when using a Power Tilt)</small>	\$302.28	\$0.00

**Ripper
Bobcat Excavator Attachment**



Ripper with X-Change Mount



Ripper with Pin-On Mount

Quick Specs

	<u>Ripper with X-Change</u>	<u>Ripper with Pin-On</u>
Operating Weight.....	270 lbs.	255 lbs.
Tooth Radius.....	36"	36"
Shank Thickness.....	1.5"	1.5"

Part Number	Attachment Description	Retail Price in US \$	Labor
-------------	------------------------	-----------------------	-------

	(E32, E35)		
7328289	Ripper, 35 mm Pins.....	\$1,349.45	\$0.00

	(E42, E45, E50, E55, E60, E63)		
7328290	Ripper, 45 mm Pins.....	\$1,349.45	\$0.00

	(E32, E35, E42, E45, E50, E55, E60, E63) with X-Change system		
7328288	Ripper, X-Change.....	\$1,368.86	\$0.00

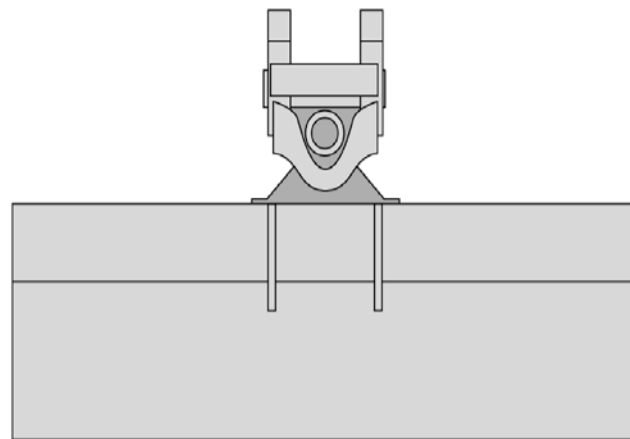
	(E80, E85 M-Series)		
7328287	Ripper 45 mm Pin 8T.....	\$1,840.32	\$0.00

Bobcat Company Price Pages
Excavator Attachments

(E85 R-Series)(E88 R2-Series)

7328286 Ripper 55 mm Pin 8T..... \$1,813.31 \$0.00

Tilt Bucket
Bobcat Excavator Attachment



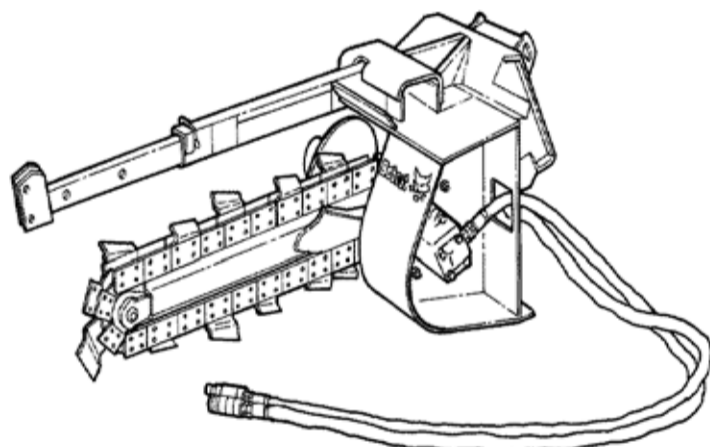
Quick Specs

P/N 7171901

Ship Weight..... 656 lbs.
Mounting..... Pin-On
Tilt..... (+/-) 45 degrees
SAE Heaped Capacity..... 12.5 ft³

Part Number	Description	Attachment	Retail Price in US \$	Labor
(E80, E85) 7171901	48" Tilting Grade Bucket, Smooth Lip..... *Not compatible with R-Series E85		\$9,259.51	\$0.00
(E85R) 7325612	48" Tilting Grade Bucket, Smooth Lip.....		\$8,688.00	\$0.00

Trencher
Bobcat Excavator Attachment



Quick Specs

Operating Weight (without teeth)..... 570 lbs.
Flow Range..... 13-20 gpm
Maximum Operating Pressure..... 3000 psi
Overall Width..... 30.6"
Overall Length..... 68.2"
Side Shift Travel..... N/A
Auger Diameter..... 12"
Dig Depth..... 2'
Standard Boom Length..... 39.4"
Trenching Widths Available..... 4" to 8"

Part Number	Description	Attachment	Retail Price in US \$	Labor
(331, 331E, 334, 335, 337, 341, 430, 435) (E42, E45, E50, E55) (E42R2, E50R2, E60R2)				
M7012	MX112 Trencher.....		\$5,544.57	\$0.00
	(Includes X-Change mounting frame, hoses, couplers, 2' depth, no sideshift)			
	(Can only order one chain option per trencher model)			

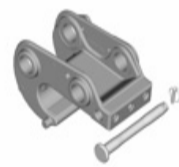
NOTE: Extendable Arm must be pinned in the retracted position to use hydraulic attachments.

MX112 Chain Configuration Options (Factory Installed)
 Chains are 1.654" Double Standard (DS) Anti-Back Flex (ABF)

M7012-R01-C01	2' x 4" Cup Teeth, Single Standard Pattern.....		\$701.21	\$0.00
M7012-R01-C02	2' x 4" Cup Teeth, Double Standard Pattern.....		\$575.14	\$0.00
M7012-R01-C03	2' x 4" Cup & Carbide Teeth, Double Standard Pattern.....		\$1,282.84	\$0.00

Part Number	Description	Attachment	Retail Price in US \$	Labor
Dealer Installed Accessories - Order From Sales				
<u>MX112 Chain Configuration Accessories (Replacement Chain - Dealer Installed)</u> Chains are 1.654" Double Standard (DS) Anti-Back Flex (ABF)				
6959315	2' x 4" Cup Teeth, Single Standard Pattern.....		\$676.15	\$0.00
	(Ship Weight 76 lbs.)			
6959323	2' x 4" Cup Teeth, Double Standard Pattern.....		\$850.46	\$0.00
	(Ship Weight 85 lbs.)			
6959333	2' x 4" Cup & Carbide Teeth, Double Standard Pattern.....		\$1,607.77	\$0.00
	(Ship Weight 91 lbs.)			

**X-Change
 Bobcat Excavator Attachment**



Replacement
 HD X-Change Kit



Bolt-On-X-Change



Replacement
 HD X-Change Kit



Wide Link

442 Coupler

Part Number	Description	Attachment	Retail Price in US \$	Labor
<i>For current Attachment pricing, reference BobQuote or Dealer Parts Department.</i>				
(322, 323, 324, E20)				
6727180	Bolt-On X-Change, 322 - 324, E20.....		Sales \$358.41	\$0.00
	(Must also order Bit and PN 6817100)			
(E26, E32, E35)				
7178041	Replacement Heavy Duty X-Change Kit.....		Sales \$773.00	\$0.00
	(Utilizes pin retention system to secure attachment) (Replacement X-Change assembly)			
(325, 328, 329, 331, 331E, 334, 337, 341, 430, 435) (E32, E35, E42, E45, E50, E55, E60, E63)				
6737698	X-Change Adapter Mounting Frame.....		Sales \$613.00	\$0.00
	(Used to convert attachments to X-Change mounting system)			
	(Cast X-Change welded to fab flat plate, welds to flat surface) (Not compatible with 12" pin-on bucket)			
	(Ship Weight - 50 lbs.)			
7125318	Coupler , Pin Grabber.....		Sales \$2,610.00	\$0.00
	(Compatible with attachment pin spacing of 10.8 inches) (If used with multiple attachments, must also order two each of 6690458 - Pin; 6690459 - Collar; 17C864 - Bolt; 4E8 - Washer; 61D8 - Nut from Parts for each additional attachment)			
(E80, E85M-Series) (45 mm pin size)				
7171904	Coupler , Pin Grabber.....		Sales \$3,053.00	\$0.00
	(Compatible with attachment pin spacing of 11.5 inches) (E80 attachments)			
7171906	Coupler , Pin Grabber.....		Sales \$3,177.00	\$0.00
	(Compatible with attachment pin spacing of 10.8 inches) (E80 to 442 attachments)			
(E145)				
7382902	Hyd. Pin Grabber w/ Connection Kit.....		Sales \$8,200.54	\$0.00
(E165)				
7401684	E165 - Hyd. Pin Grabber w/ Connection Kit.....		Sales \$9,906.92	\$0.00